



INSTALLATION INSTRUCTIONS

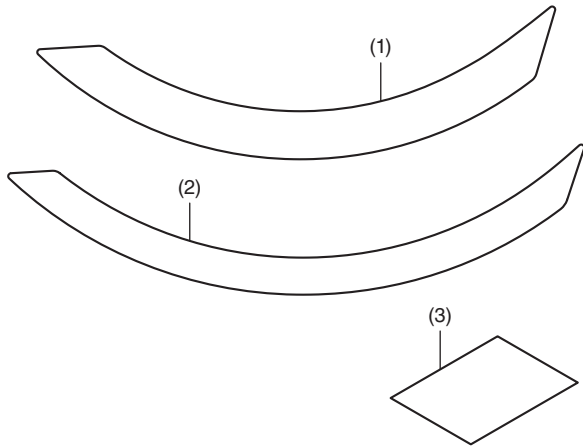
Accessory	Application	Publication No.
WHEEL STRIPE P/N 08F70-MKS-E00	CRF1100A/D	MII
		Issue Date
		April 2021

Accessory	Application	Publication No.
WHEEL STRIPE P/N 08F70-MKS-E00	CRF1100A/D	MII
		Issue Date
		April 2021

Accessory	Application	Publication No.
WHEEL STRIPE P/N 08F70-MKS-E00	CRF1100A/D	MII
		Issue Date
		April 2021

Honda Dealer: Please give a copy of these instructions to your customer.

PARTS LIST



No.	Description	Qty
(1)	Rear wheel rim stripe	4
(2)	Front wheel rim stripe	4
(3)	URL paper	1

SUPPLIES REQUIRED

- Isopropyl alcohol
- Shop towel

INSTALLATION

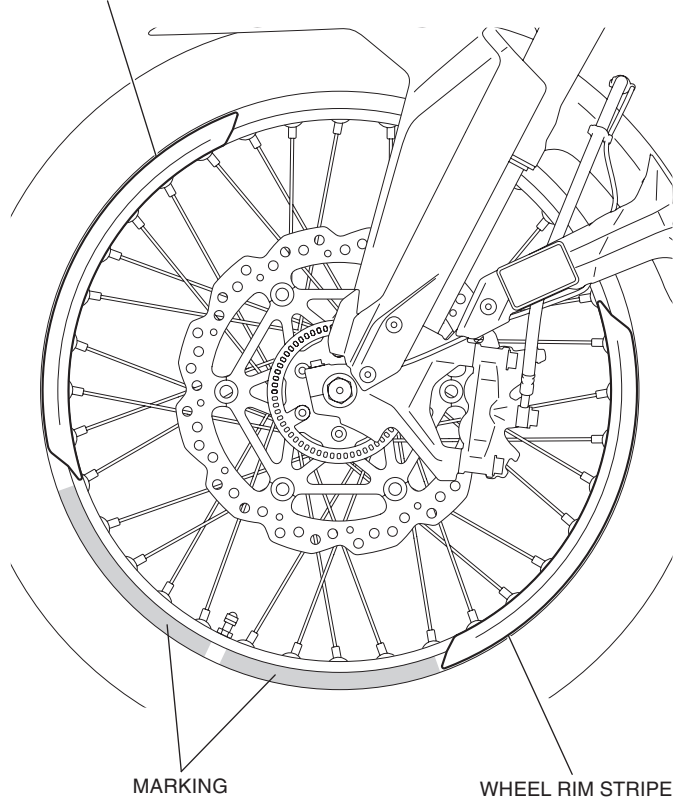
▲ CAUTION

- To prevent burns, allow the engine, exhaust system, radiator, etc., to cool before installing the accessory.

NOTE:

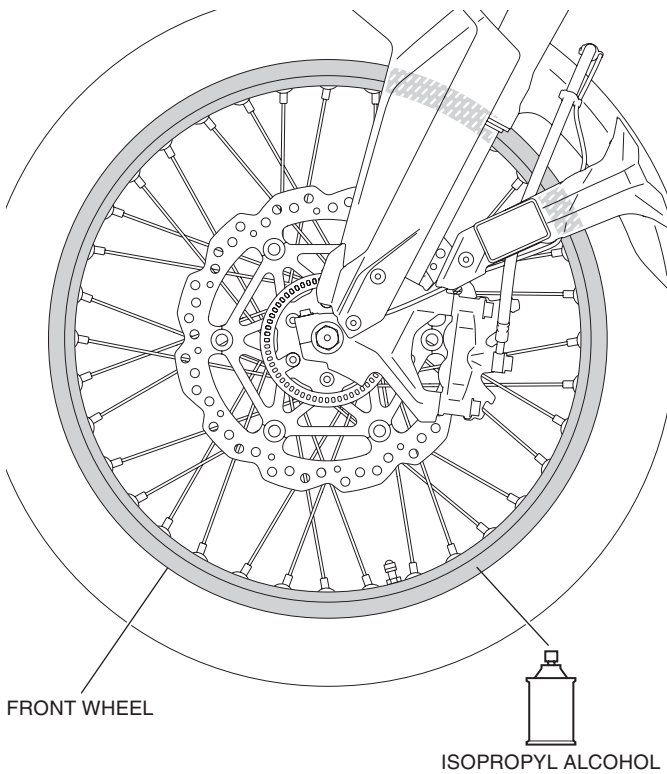
- Heat the bonding surfaces with a hair dryer if the ambient air temperature is below 70°F (21°C).
- The adhesive reaches full strength in 72 hours. Wait at least 24 hours before riding your motorcycle.
- To neatly attach this accessory, attach it while lifting the tire with the maintenance stand or similar and adjusting the space between the wheel rim stripe and rim.
- Attach the two wheel rim stripe to the one side of the wheel in a diagonal line while avoiding the markings as shown.
- Make sure to attach the wheel rim stripe from the left side with the markings.

WHEEL RIM STRIPE

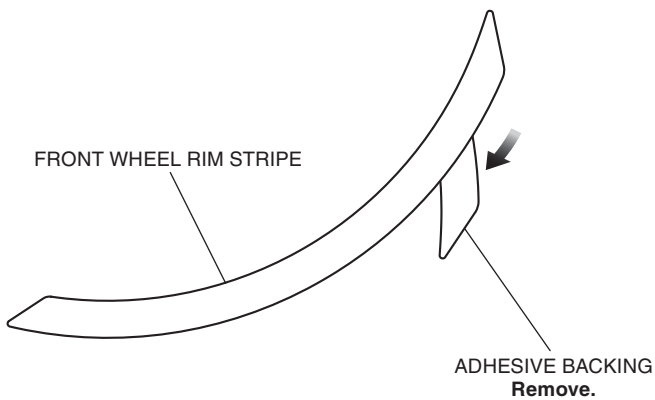


1. Clean the surface of the area shown using an isopropyl alcohol.

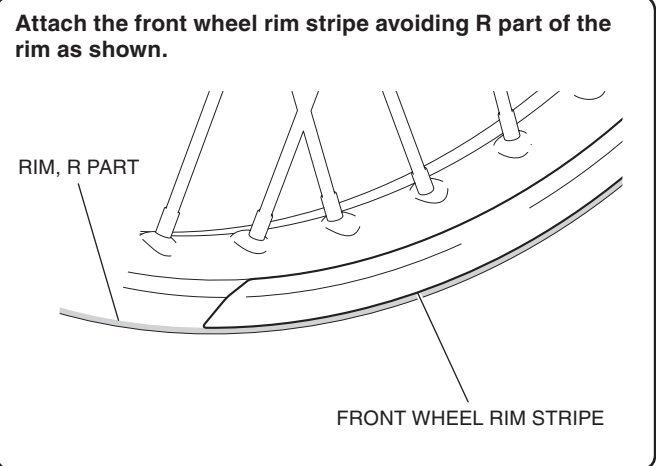
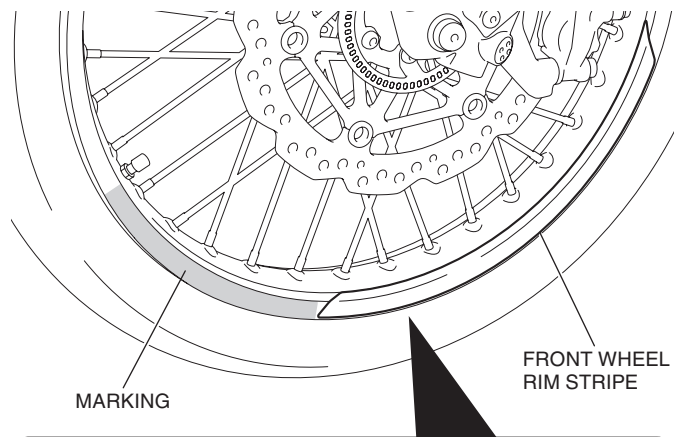
<Left side>



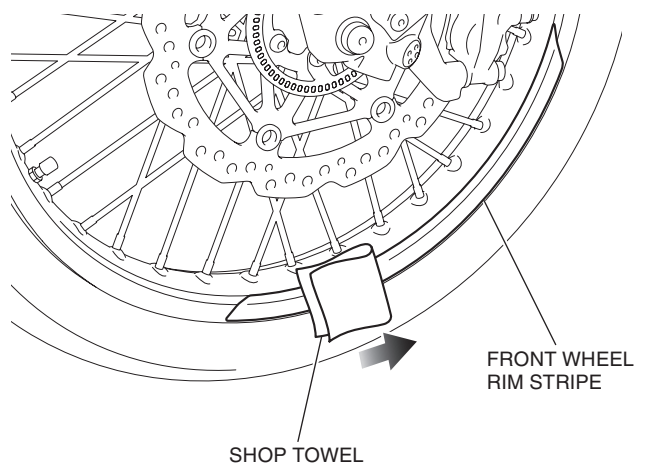
2. Remove the adhesive backing on the front wheel rim stripe as shown.



3. Attach the front wheel rim stripe as shown.
- Avoid the marking and attach the edge of front wheel rim stripe.
 - Being careful not to allow air bubbles, glue on the front wheel rim stripe while adjusting the space between the front wheel rim stripe and the rim.
 - Do not glue on while pulling and stretching the front wheel rim stripe.



4. Using a shop towel, force out excessive air.



5. Install the front wheel rim stripe in the same way as the diagonal side.
6. Install the right side of the front wheel rim stripe in the same way as the left side.
 - **Install the right side of the front wheel rim stripe in the same position as the left side.**
7. Install the rear wheel rim stripe in the same way as the front side.